

Multi-Quick
MO 106 (complete)

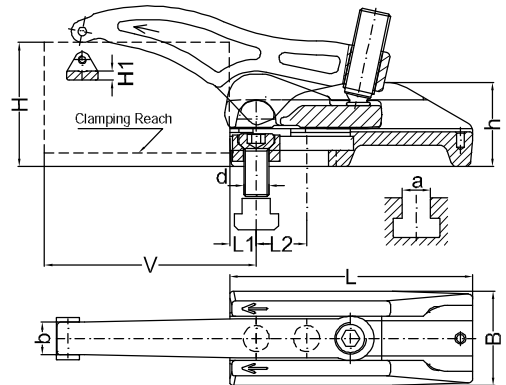
Application Examples:

Injection moulding, metal cutting and metal forming

- protected as a registered design in Germany
- stepless vertically and horizontally adjustable
- strong clamping pressure for small clamping torque
- greater horizontal adjustment due to the integrated sliding plate

Clamping Force: **Up to 60 kN**

- **Material: Hardened alloy steel**
- **Clamping arm/Clamping shoe: Drop forged**



			for T-Slots		for Tapped Holes										
H	d	a	Part No.		Part No.		V	L	L1	L2	B	b	h	H1	kN
10-58 K	-	-	106-058-13		-		14-84	96	14	16	50	18	47	5	30
	M08	10	106-058-0810		106-058-08										
	M10	12	106-058-1012		106-058-10										
	M12	14	106-058-1214		106-058-12										
15-75 L	-	-	106-075-13		-		14-114	136	14	26	50	18	47	5	32
	M08	10	106-075-0810		106-075-08										
	M10	12	106-075-1012		106-075-10										
	M12	14	106-075-1214		106-075-12										
12-65 K	-	-	106-065-17		-		17-97	111	17	18	60	21	54	6	40
	M14	16	106-065-1416		106-065-14										
	M16	18	106-065-1618		106-065-16										
16-90 L	-	-	106-090-17		-		17-137	156	17	28	60	21	54	6	43
	M14	16	106-090-1416		106-090-14										
	M16	18	106-090-1618		106-090-16										
18-102 L	-	-	106-102-21		-		21-160	181	21	36	72	25	62	7	50
	M18	20	106-102-1820		106-102-18										
	M20	22	106-102-2022		106-102-20										
15-115 L	-	-	106-115-25		-		24-184	211	24	43	88	33	72	8	60
	M22	24	106-115-2224		106-115-22										
	M24	28	106-115-2428		106-115-24										
	M24	36	106-115-2436		-										
	-	-	106-115-31		-										
	M30	36	106-115-3036		106-115-30										

Multi-Quick MO 106 (Spare Parts)



Clamping Shoe with Profile Nut	Fixing Set	Profile Nut	Clamping Arm with Sliding Plate	Protection Plate	Spring with Screw	Ball Pressure Screw	Allen Key
Part No.	Part No.	Part No.	Part No.	Part No.	Part No.	Part No.	Part No.
106-2-096-13	—	106-6-024-13	220-5-038-13	991-150-12-1	360-100-113	310-16-055	610-08
106-2-096-0810	960-0810-33		K				
106-2-096-1012	960-1012-35						
106-2-096-1214	960-1214-40						
106-2-136-13	—	106-6-024-13	220-5-057-13	991-150-12-1	360-100-113	310-16-060	610-08
106-2-136-0810	960-0810-33		L				
106-2-136-1012	960-1012-35						
106-2-136-1214	960-1214-40						
106-2-111-17	—	106-6-032-17	220-5-043-17	991-150-16-1	360-100-117	310-20-060	610-10
106-2-111-1416	960-1416-41		K				
106-2-111-1618	960-1618-48						
106-2-156-17	—	106-6-032-17	220-5-068-17	991-150-16-1	360-100-117	310-20-070	610-10
106-2-156-1416	960-1416-41		L				
106-2-156-1618	960-1618-48						
106-2-181-21	—	106-6-040-21	220-5-078-21	991-150-20-1	360-100-121	310-24-090	610-12
106-2-181-1820	960-1820-55		L				
106-2-181-2022	960-2022-60						
106-2-211-25	—	106-6-044-25	220-5-085-25	991-150-24-1	360-100-125	310-24-090	610-12
106-2-211-2224	960-2224-68		L				
106-2-211-2428	960-2428-74						
106-2-211-2436	960-2436-86						
106-2-211-31	—	106-6-050-31					
106-2-211-3036	960-3036-86						