

Multi-Quick
MO 70 (complete)

Clamping Force: **Up to 50kN**

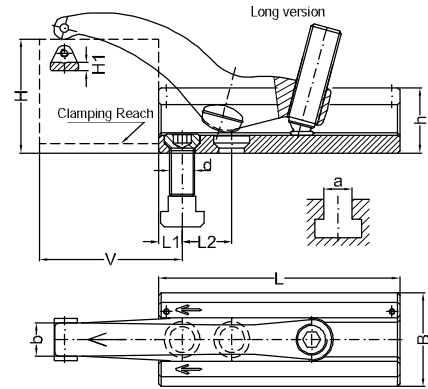
Application Examples:

Injection moulding, light and medium metal cutting

- protected Trademark Multi Quick
- stepless vertically and horizontally adjustable
- strong clamping pressure for small clamping torque

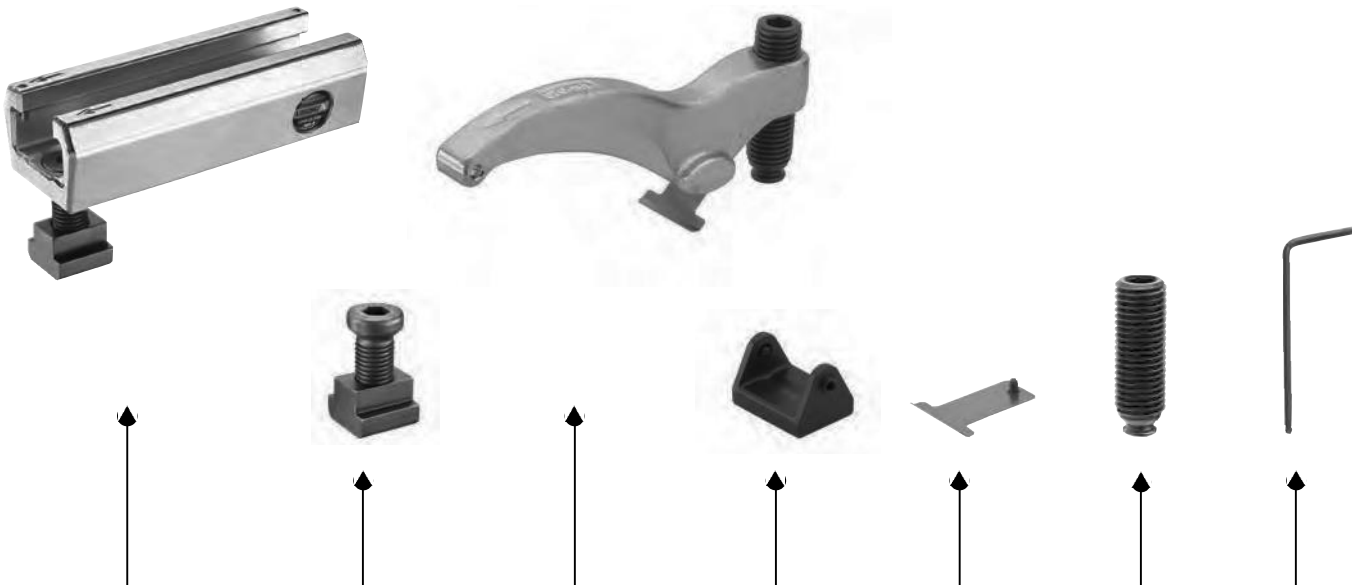
- **Material: Hardened alloy steel**
- **Clamping Arm: Drop forged**

Long version with 2 holes
Short version with 1 hole



			for T-Slots		for Tapped Holes										
H	d	a	Part No.		Part No.		V	L	L1	L2	B	b	h	H1	kN
5-52 K	-	-	070-052-13		-		12-65	95	12	-	52	18	37	5	20
	M08	10	070-052-0810		070-052-08										
	M10	12	070-052-1012		070-052-10										
	M12	14	070-052-1214		070-052-12										
7-72 L	-	-	070-072-13		-		12-95	135	12	24	52	18	37	5	22
	M08	10	070-072-0810		070-072-08										
	M10	12	070-072-1012		070-072-10										
	M12	14	070-072-1214		070-072-12										
6-62 K	-	-	070-062-17		-		15-75	110	15	-	60	21	42	6	30
	M14	16	070-062-1416		070-062-14										
	M16	18	070-062-1618		070-062-16										
8-82 L	-	-	070-082-17		-		15-108	155	15	28	60	21	42	6	32
	M14	16	070-082-1416		070-082-14										
	M16	18	070-082-1618		070-082-16										
7-92 L	-	-	070-092-21		-		19-122	175	19	34	75	25	48	7	42
	M18	20	070-092-1820		070-092-18										
	M20	22	070-092-2022		070-092-20										
8-85 K	-	-	070-085-25		-		22-112	150	22	-	88	33	57	8	50
	M22	24	070-085-2224		070-085-22										
	M24	28	070-085-2428		070-085-24										
	M24	36	070-085-2436		-										
	-	-	070-085-31		-										
8-108 L	-	-	070-108-25		-		22-145	205	22	38	88	33	57	8	50
	M22	24	070-108-2224		070-108-22										
	M24	28	070-108-2428		070-108-24										
	M24	36	070-108-2436		-										
	-	-	070-108-31		-										
	M30	36	070-108-3036		070-108-30		25-148		25	-					

Multi-Quick MQ 70 (Spare Parts)



Clamping Shoe		Fixing Set		Clamping Arm		Protection Plate		Spring with Screw		Ball Pressure Screw		Allen Key		
Part No.		Part No.		Part No.		Part No.		Part No.		Part No.		Part No.		
070-2-095-13		–		070-3-052-13		991-150-12-1		360-060-013		310-16-050		610-08		
070-2-095-0810		960-0810-25		K										
070-2-095-1012		960-1012-29												
070-2-095-1214		960-1214-31												
070-2-135-13		–			070-3-072-13		991-150-12-1		360-070-013		310-16-055		610-08	
070-2-135-0810		960-0810-25		L										
070-2-135-1012		960-1012-29												
070-2-135-1214		960-1214-31												
070-2-110-17		–			070-3-062-17		991-150-16-1		360-070-017		310-20-055		610-10	
070-2-110-1416		960-1416-35		K										
070-2-110-1618		960-1618-40												
070-2-155-17		–		070-3-082-17		991-150-16-1		360-070-017		310-20-070		610-10		
070-2-155-1416		960-1416-35		L										
070-2-155-1618		960-1618-40												
070-2-175-21		–			070-3-092-21		991-150-20-1		360-070-021		310-24-080		610-12	
070-2-175-1820		960-1820-45		L										
070-2-175-2022		960-2022-51												
070-2-150-25		–		070-3-085-25		991-7024-1		360-070-025		310-24-080		610-12		
070-2-150-2224		960-2224-55		K										
070-2-150-2428		960-2428-60												
070-2-150-2436		960-2436-74												
070-2-150-31		–												
070-2-150-3036		960-3036-75												
070-2-205-25		–		070-3-108-25		991-150-24-1		360-070-025		310-24-090		610-12		
070-2-205-2224		960-2224-55		L										
070-2-205-2428		960-2428-60												
070-2-205-2436		960-2436-74												
070-2-205-31		–												
070-2-205-3036		960-3036-75												

Multi-Quick
MO 75 (complete)

Clamping Force: **Up to 45 kN**

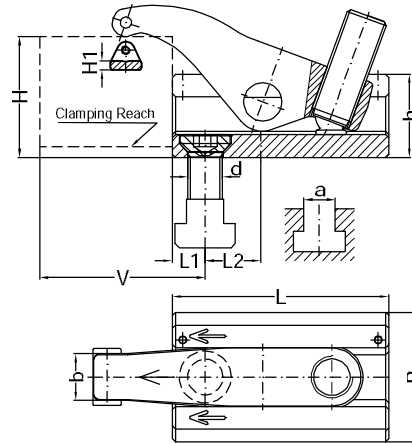
Application Examples:

Injection moulding, light and medium metal cutting

- protected as a registered design in Germany
- stepless vertically and horizontally adjustable
- strong clamping pressure for small clamping torque

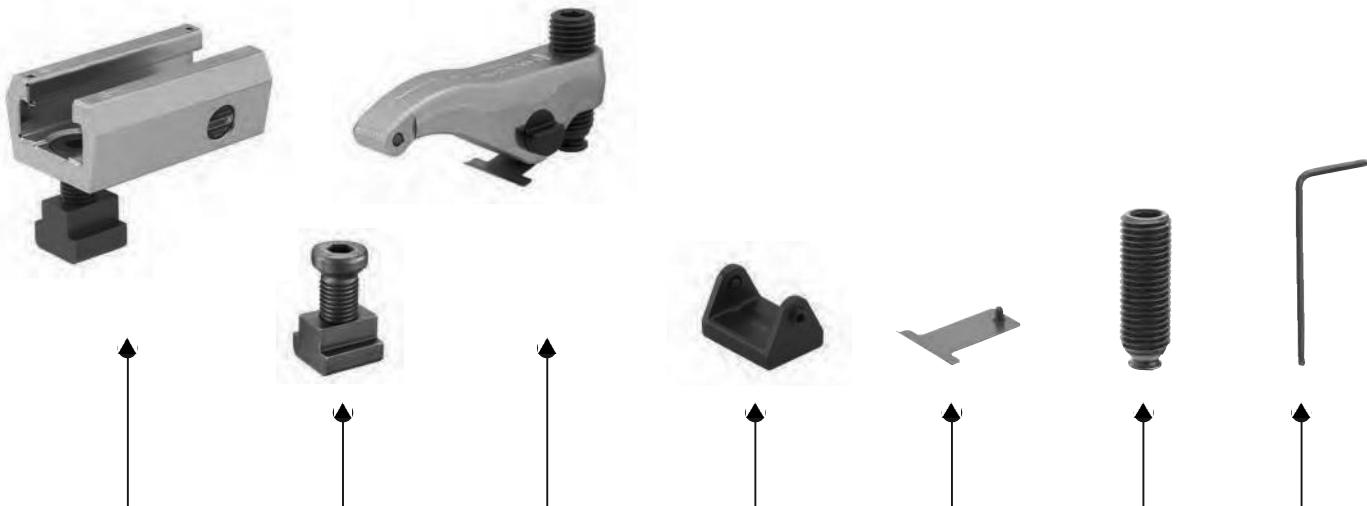
- **Material: Hardened alloy steel**
- **Clamping Arm: Drop forged**


Short version with 1 hole



			for T-Slots	for Tapped Holes									
H	d	a	Part No.	Part No.	V	L	L1	L2	B	b	h	H1	kN
7-74	-	-	075-074-21	-	19-90	125	19	-	75	25	48	7	45
K	M18	20	075-074-1820	075-074-18									
	M20	22	075-074-2022	075-074-20									

Multi-Quick
MQ 75 (Spare Parts)



Clamping Shoe		Fixing Set		Clamping Arm		Protection Plate		Spring with Screw		Ball Pressure Screw		Allen Key 	
Part No.		Part No.		Part No.		Part No.		Part No.		Part No.		Part-No.	
070-2-125-21		–		075-3-074-21		991-150-20-1		360-070-021		310-24-070		610-12	
070-2-125-1820		960-1820-45		K									
070-2-125-2022		960-2022-51											